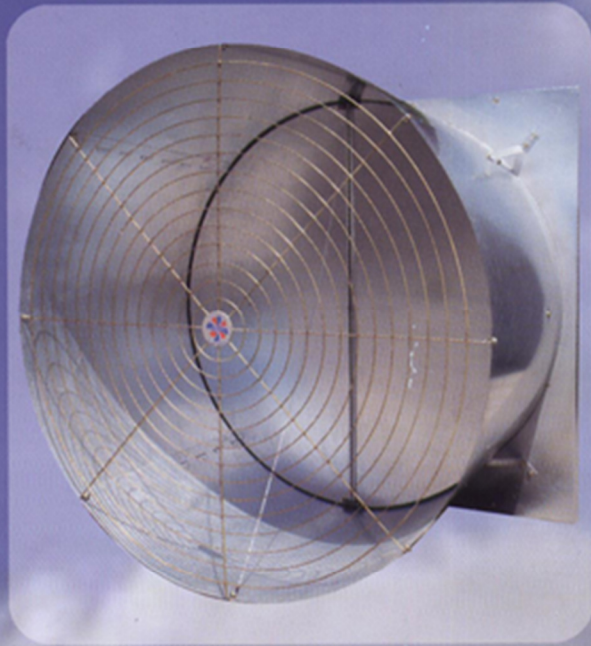
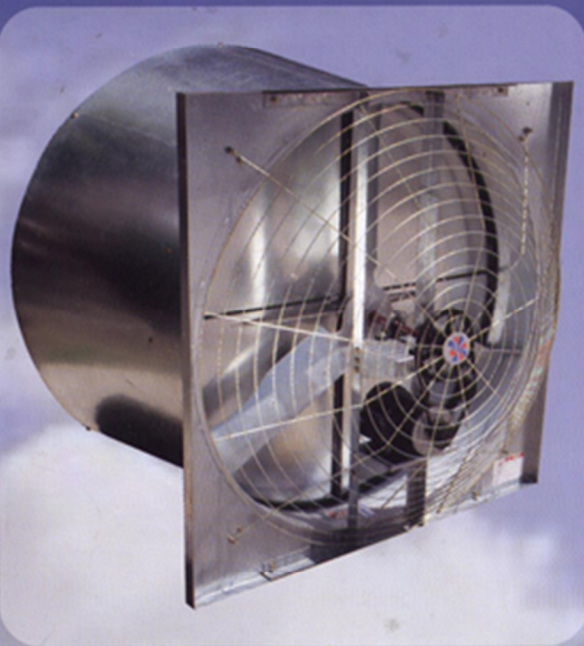


AIR 
TECHNOLOGY
CORPORATION, S.A. DE C.V.

AGB

AERO VENTILADORES AGROPECUARIOS ATC
LINEA AERO FLY
CON COMPUERTA TIPO MARIPOSA
ATC HIGH EFFICIENCY AGRICULTURAL FANS
AERO FLY SERIES WITH BUTTERFLY DAMPERS



The Right Choice

**ATC HIGH EFFICIENCY PROPELLER FANS
WITH BUTTERFLY DAMPERS
AGRICULTURAL LINE, AERO FLY SERIES
BELT DRIVE
54" DIAMETER**

AGB Axial fan series are specially designed for agricultural applications. ATC has matched the precise engineering in design of fan blades along with butterfly dampers and high efficiency continuous duty motors in order to develop the economy shutterless operation line of high air flow and low energy consumption fans.

Construction features:

- Corrosion resistance galvanized fan frame, motor, drive stands, butterfly dampers, housing and cone built for maintenance free, long lasting fans suited for use in agricultural environments.
- Galvanized 3 Wings aerodynamic 54" balanced blade designed for high airflow and quiet operation.
- 4 pole high efficiency continuous duty single and three phase motors designed for belt drive applications.
- Tropicalized welded wire guard on both intake and exhaust side.
- Galvanized sealed butterfly dampers along with stainless steel springs and magnets designed for hermetic shutterless and consistent air flow operation.
- Maintenance free rotary belt tensioner with splash guard replaces the need of belt tensioning
- Easy assembly and maintenance.

Applications:

Agricultural industry such as Poultry, Livestock, Farms, Dairy Barns and Greenhouses.

TECHNICAL SPECIFICATIONS

MODEL	FAN RPM	POWER HP	CURRENT (A) @ 60HZ.				AIR FLOW (CFM) @ STATIC PRESSURE (INCHES W.G.)										ESTIMATED WEIGHT		BESS LAB TEST No.		
			3 PHASE		1 PHASE		0.00"		0.05"		0.10"		0.15"		0.20"		0.25"			Kg.	Lb.
			230V	460V	230V	115V	CFM	CFM WATTS	CFM	CFM WATTS	CFM	CFM WATTS	CFM	CFM WATTS	CFM	CFM WATTS	CFM	CFM WATTS			
AGB-54/M-1	645	1.5	—	—	7.2	14.4	32,400	22.0	30,860	19.7	28,760	17.2	26,690	15.1	24,430	13.1	21,810	11.1	115	253	12421
AGB-54/M-3	625	1.5	5.2	2.6	—	—	31,390	24.3	29,700	21.3	27,660	18.5	25,450	16.1	22,950	13.7	20,040	11.3	115	253	12416
AGB-54/H	688	2.0	7.1	3.4	9.4	18.9	33,390	20.3	32,020	18.4	28,940	15.1	26,170	12.8	23,490	10.8	20,460	9.0	115	253	12412*

*BESS LAB TEST NO. OBTAINED FOR THE ONE PHASE 2HP MOTOR @230-115V

AGB-54

AGB-54

AGB

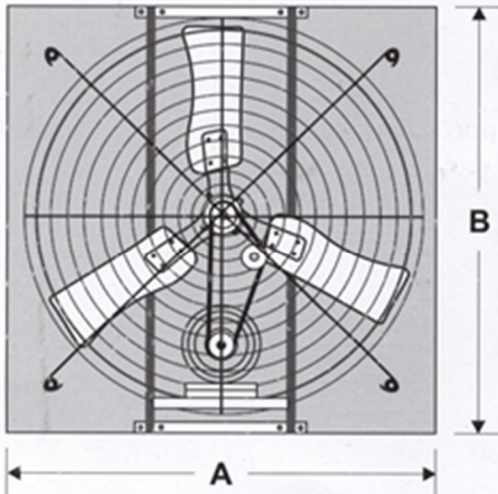
AERO VENTILADORES HELICOIDALES ATC LINEA AGROPECUARIA

TRANSMISIÓN DE POLEAS Y BANDA

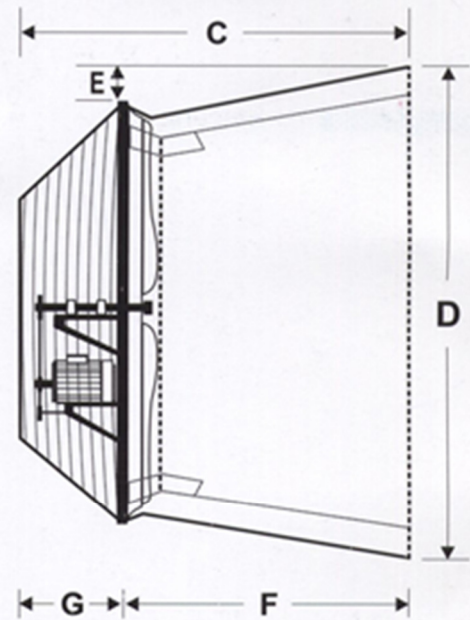
ATC HIGH EFFICIENCY AXIAL FANS AGRICULTURAL SERIES
BELT DRIVE

54" DE DIÁMETRO (54" DIAMETER)

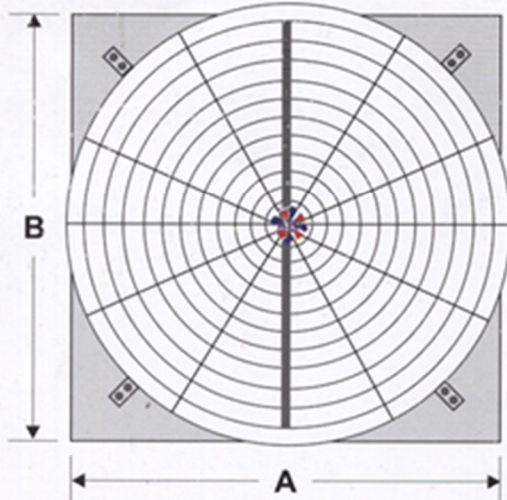
Vista Trasera (Back View)



Vista Lateral (Side View)



Vista Frontal (Front View)



MODELO (MODEL)	DIMENSIONES GENERALES (DIMENSIONS)						
	PULGADAS (INCHES)						
	A	B	C	D	E	F	G
	58 1/2	58 1/2	53 3/4	64	2 3/4	40 3/4	13



Distribuidor Autorizado (Authorized Distributor):

www.atcfans.com
Tel. 442 1921500
ventas@atcfans.com

Carretera Estatal 431 Km 2+200
Parque Tecnológico Innovación
El Marqués, Querétaro. México. C.P. 76246

Air Technology se reserva el derecho de modificación sin previo aviso / Air Technology reserves the right to change specifications without prior notice

